

# 514000.00 Maprox E-Chuck

## Specifications

Concentricity	0.02 mm	Communication	CANopen
Maximum clamping force	60 N	Optional with I/O-Box	Digital I/O
Maximum part weight	4 kg	Voltage	24 V DC
Clamping range		Current	10 A
Exterior clamping	1.5-140 mm	Weight	7.5 kg
Inner clamping	46-172 mm		

## Dimensions & clamping range

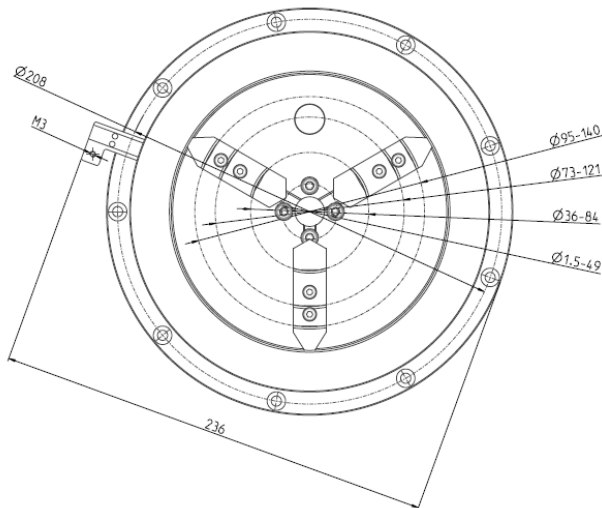
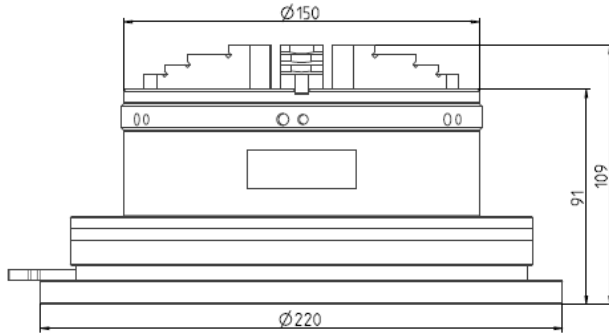


Figure 1 Inner clamping

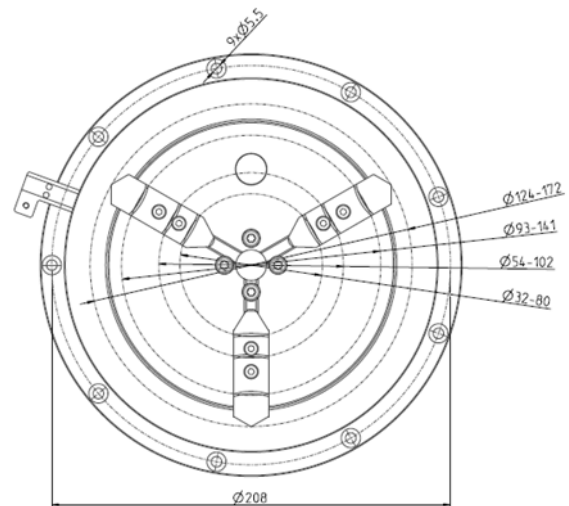
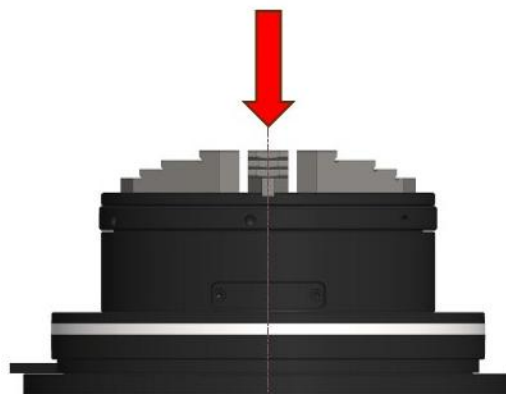


Figure 2 Exterior clamping

## Vertical load



**Vertical load max. 4 kg**